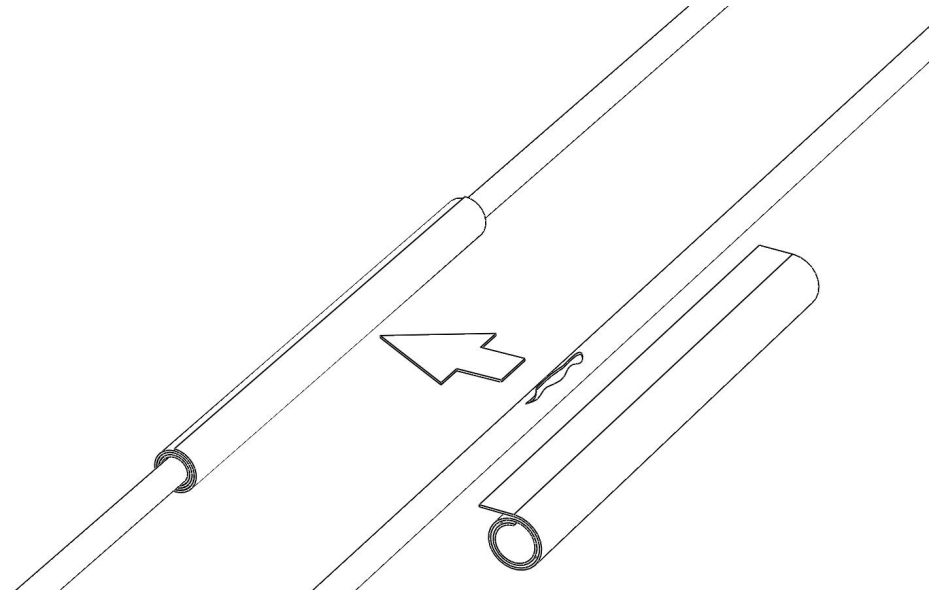
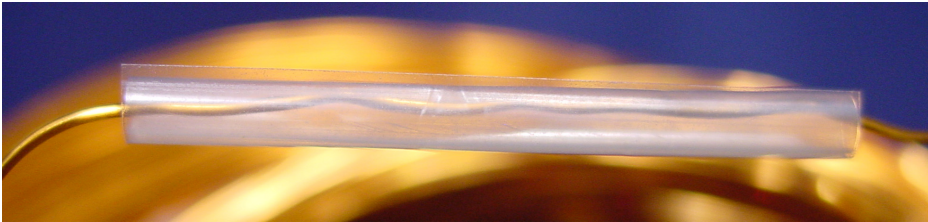


# InsulOtube

*Designed for protecting and repairing damaged wire insulation*



- Safe and cost effective
- Very quick and easy to fit
- Flexible with excellent dielectric, mechanical and cut-through strength
- Allows economic recovery of damaged hermetic motor magnet wires and other insulation repairs
- No loose particles (which can damage hermetic systems)
- Compatible with most refrigerant/oil combinations
- Patent Applications GB0723891.8, GB0723936.1

## *Construction*

2 or more turns of 0.060mm Lamina BiPly (UL approved polyester laminate)  
Lamina BiPly construction eliminates pin hole defects  
Suitable for wire sizes: 0.4 to 1.6mm (29 to 16 gauge)  
Nominal length: 25mm

## *Fitting*

Lip on leading edge allows easy fitting on damaged portions of wire. Locate lip onto top of wire and roll InsulOtube away from you. Heat at 150°C for 10 seconds to tighten the InsulOtube on the wire

## *Properties*

Dielectric strength: 5kV minimum  
Temperature: Class B, 130°C Continuous use